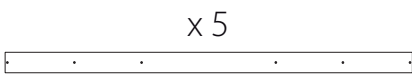
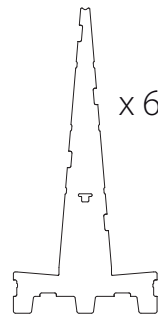


LIMITED USE

WEIGHT: 84 lbs

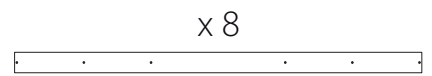


Torx 20
⊕ x 30

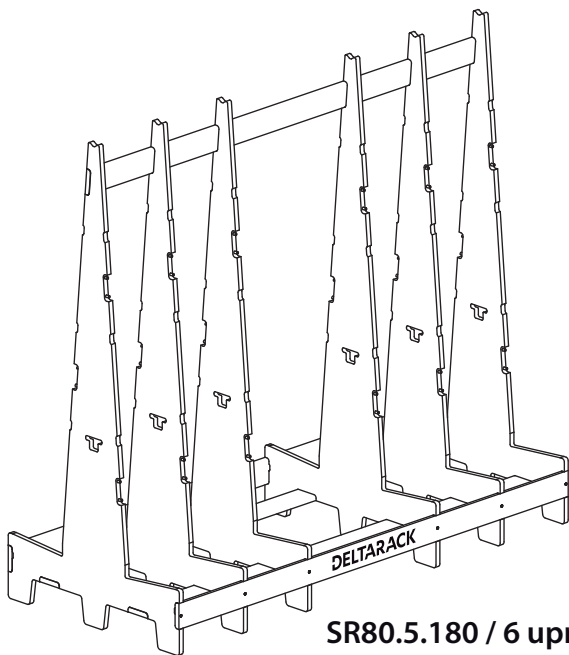


EXTENSIVE USE

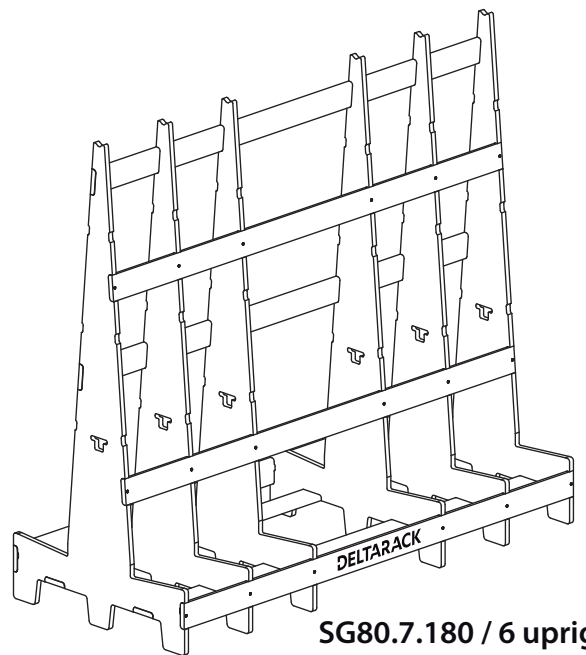
WEIGHT: 97 lbs



Torx 20
⊕ x 48

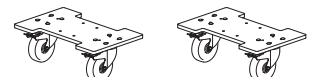


SR80.5.180 / 6 uprights



SG80.7.180 / 6 uprights

Optional
Wheelboard kit: WB80.30



(*) Load needs to be equally distributed over all vertical uprights of the rack