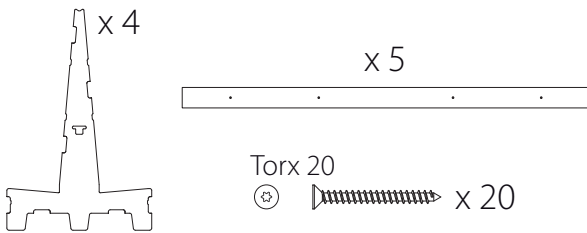


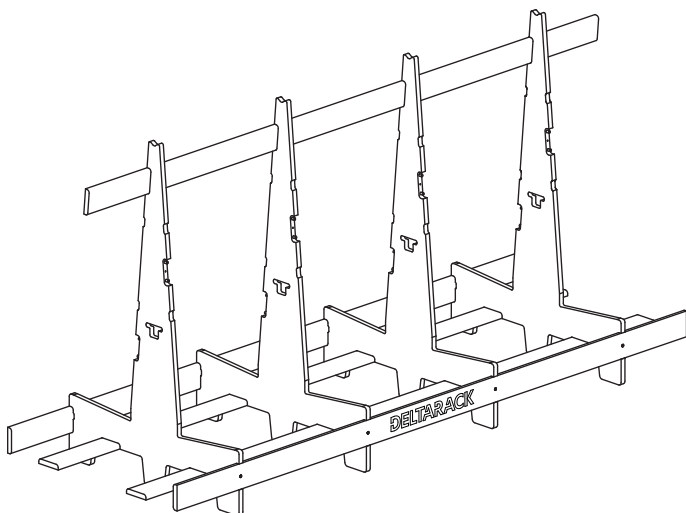
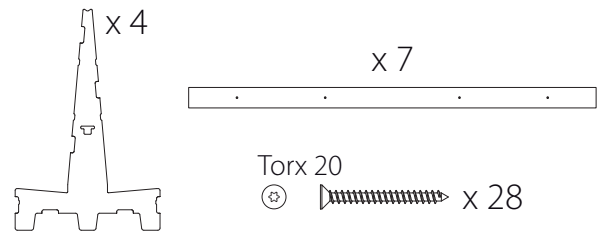
LIMITED USE

WEIGHT: 58 lbs

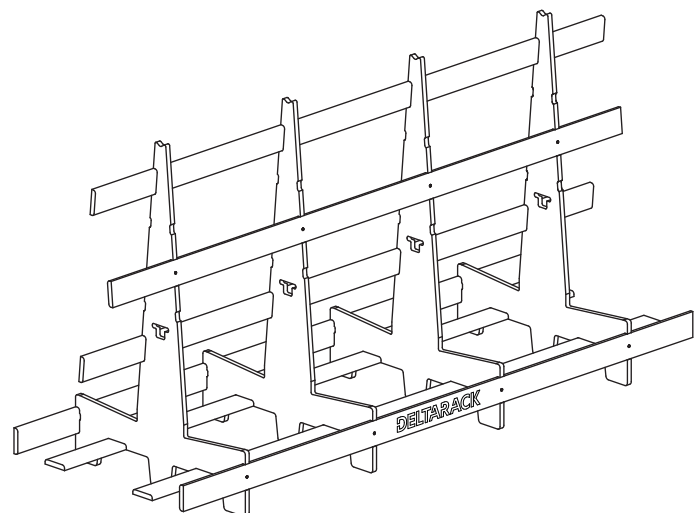


EXTENSIVE USE

WEIGHT: 69 lbs

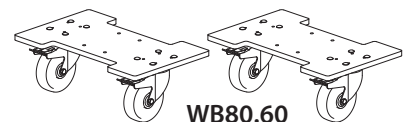


SG80.5.240 / 4 uprights



SG80.7.240 / 4 uprights

**Optional
Wheelboard
kit**



(*) Load needs to be equally distributed over all vertical uprights of the rack