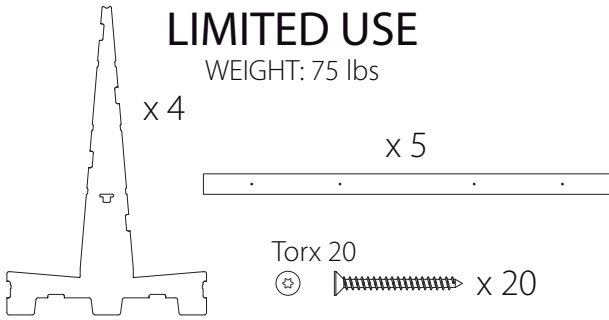


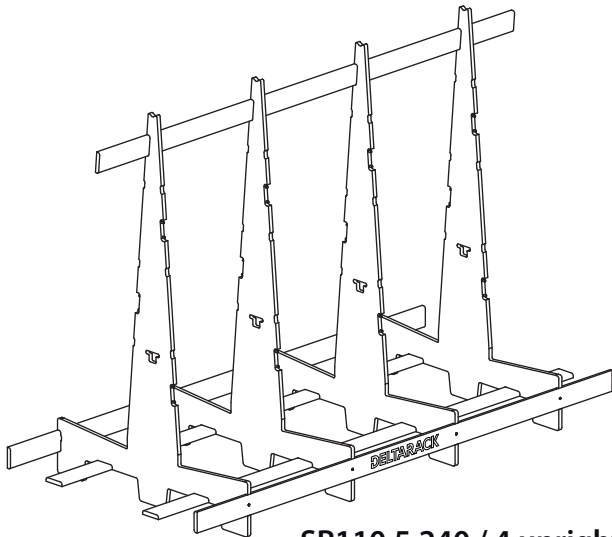
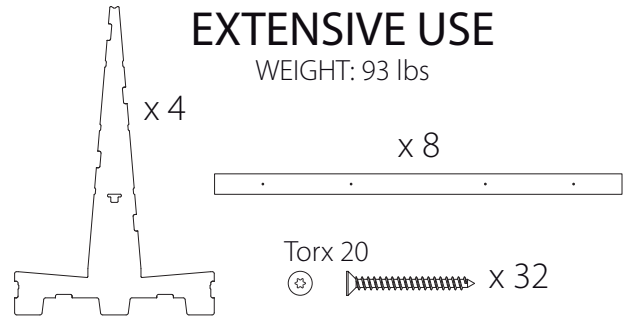
LIMITED USE

WEIGHT: 75 lbs

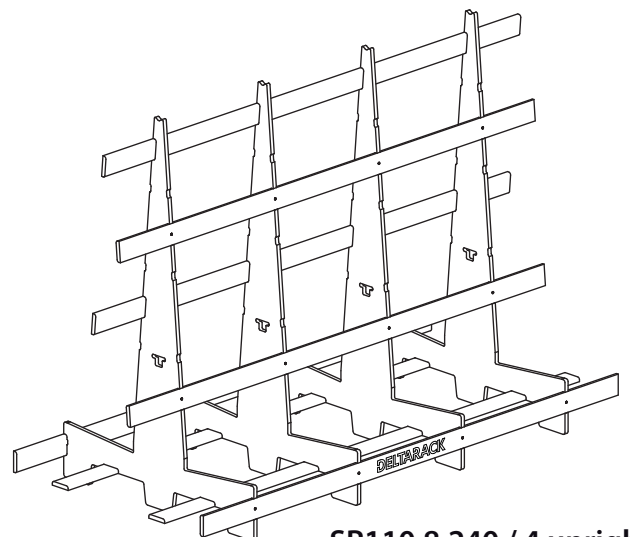


EXTENSIVE USE

WEIGHT: 93 lbs

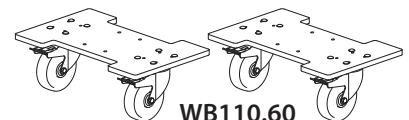


SR110.5.240 / 4 uprights



SR110.8.240 / 4 uprights

**Optional
Wheelboard
kit**



WB110.60

(*) Load needs to be equally distributed over all vertical uprights of the rack