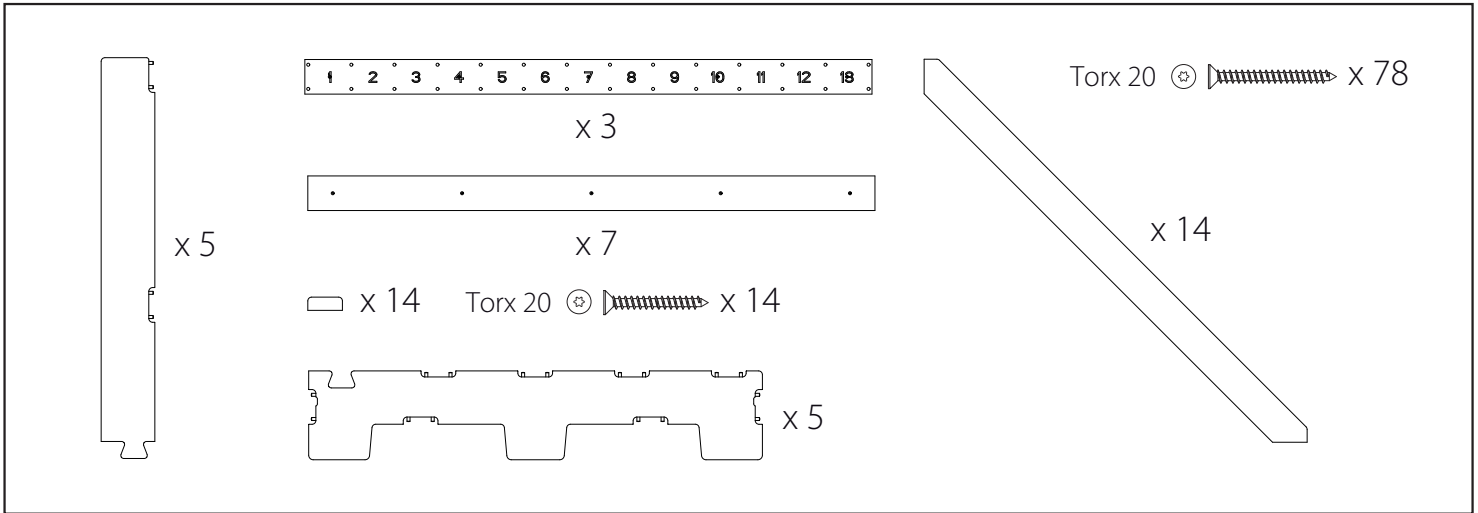
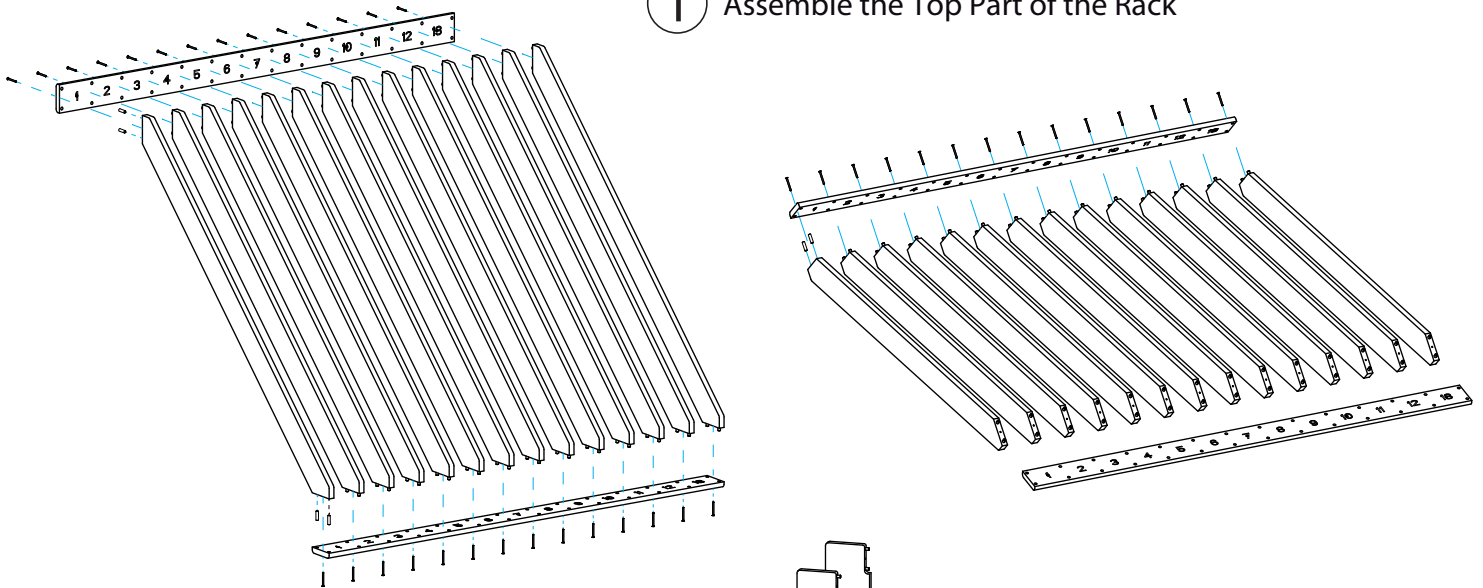


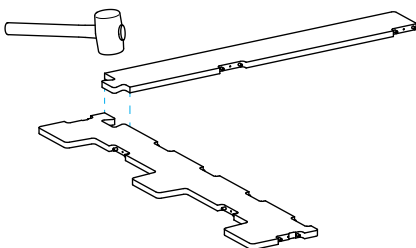
Table of contents:



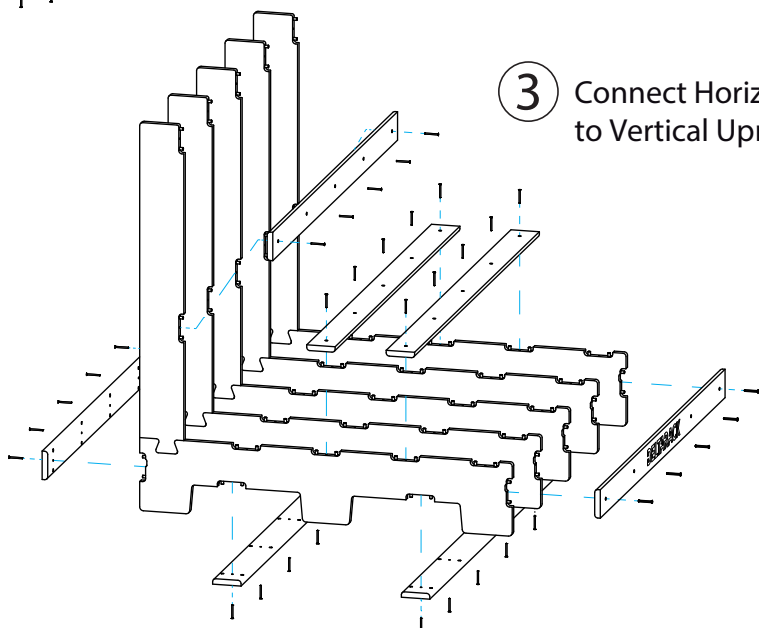
1 Assemble the Top Part of the Rack



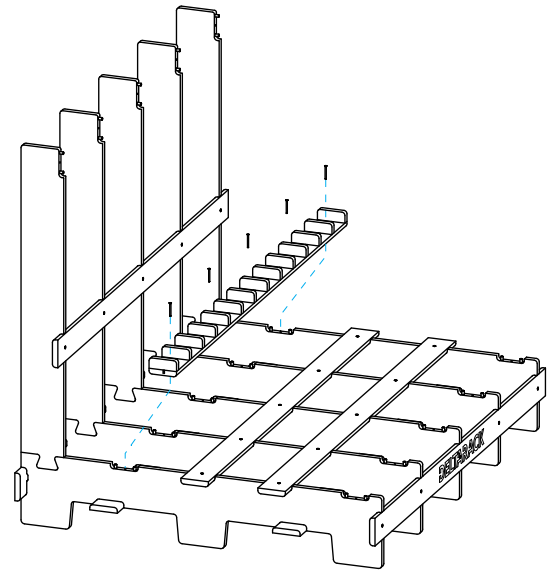
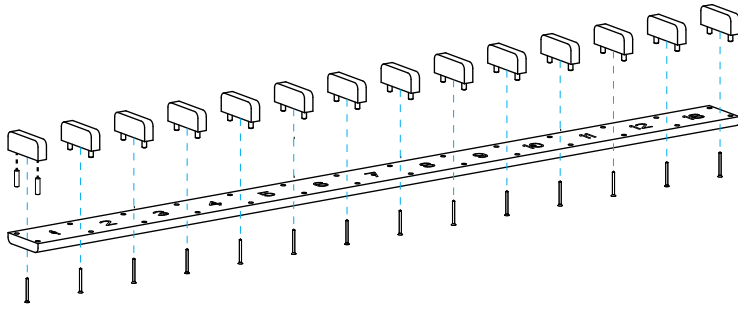
2 Join Upper and Lower Parts of the SLW120 Upright



3 Connect Horizontal Slats to Vertical Uprights



4 Assemble the Slat with Separation Blocks



5 Attach Separator Element

