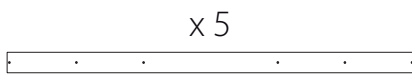
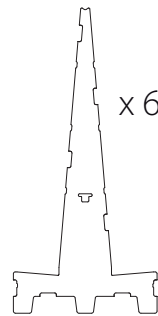


**LIMITED USE**

WEIGHT: 84 lbs

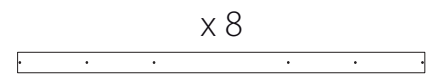


Torx 20  
⊕ x 30

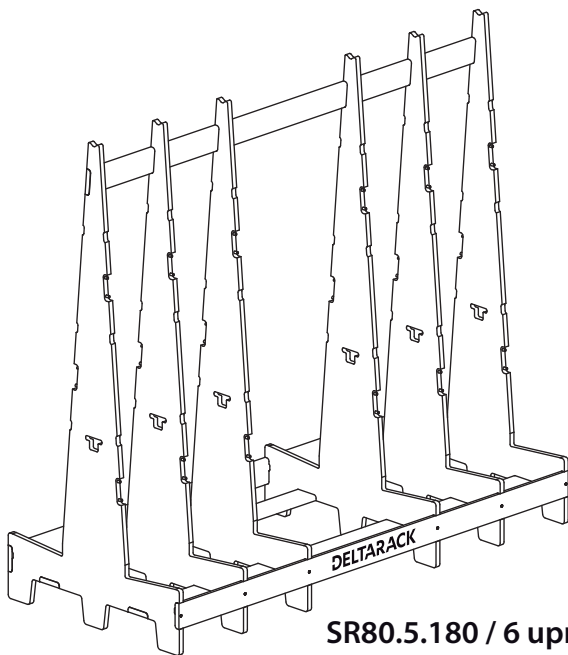


**EXTENSIVE USE**

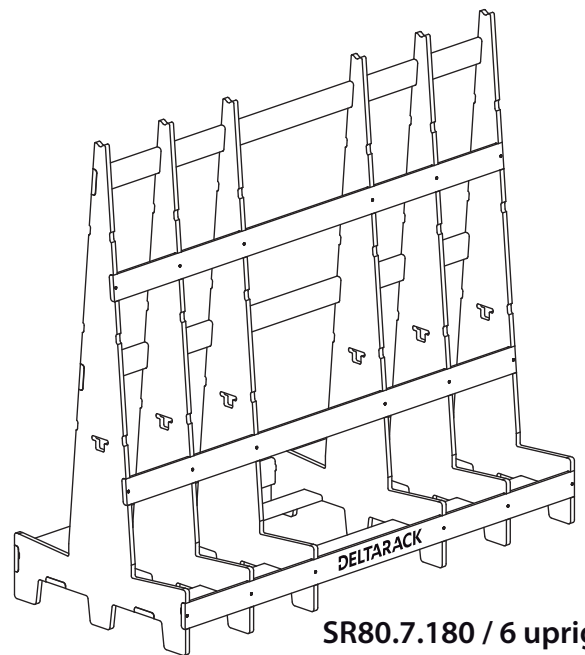
WEIGHT: 97 lbs



Torx 20  
⊕ x 48

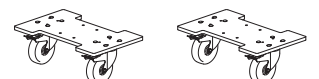


**SR80.5.180 / 6 uprights**



**SR80.7.180 / 6 uprights**

Optional  
Wheelboard kit: WB80.30



(\* ) Load needs to be equally distributed over all vertical uprights of the rack