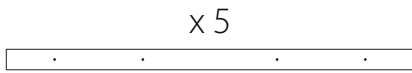
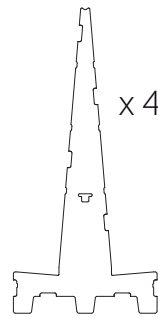


LIMITED USE

WEIGHT: 60 lbs

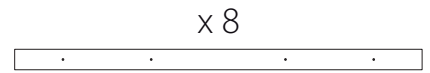


Torx 20
⊕ x 20

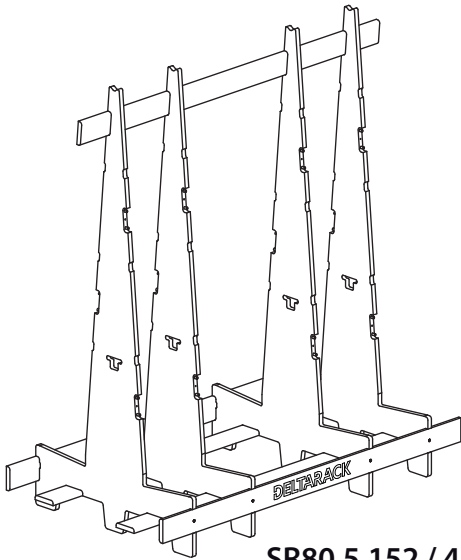


EXTENSIVE USE

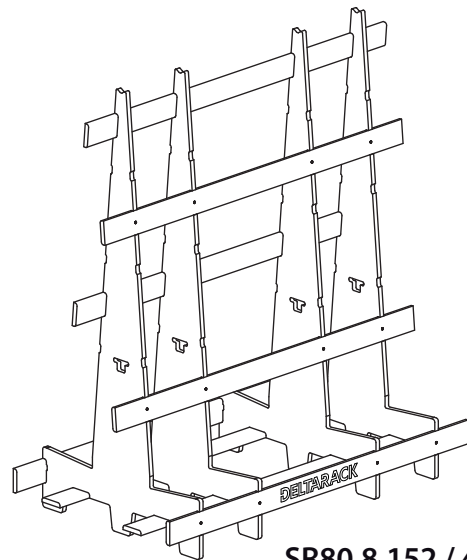
WEIGHT: 71 lbs



Torx 20
⊕ x 32

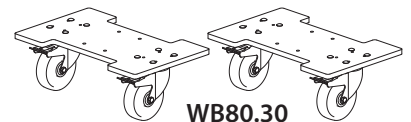


SR80.5.152 / 4 uprights



SR80.8.152 / 4 uprights

**Optional
Wheelboard
kit**



WB80.30

(*) Load needs to be equally distributed over all vertical uprights of the rack